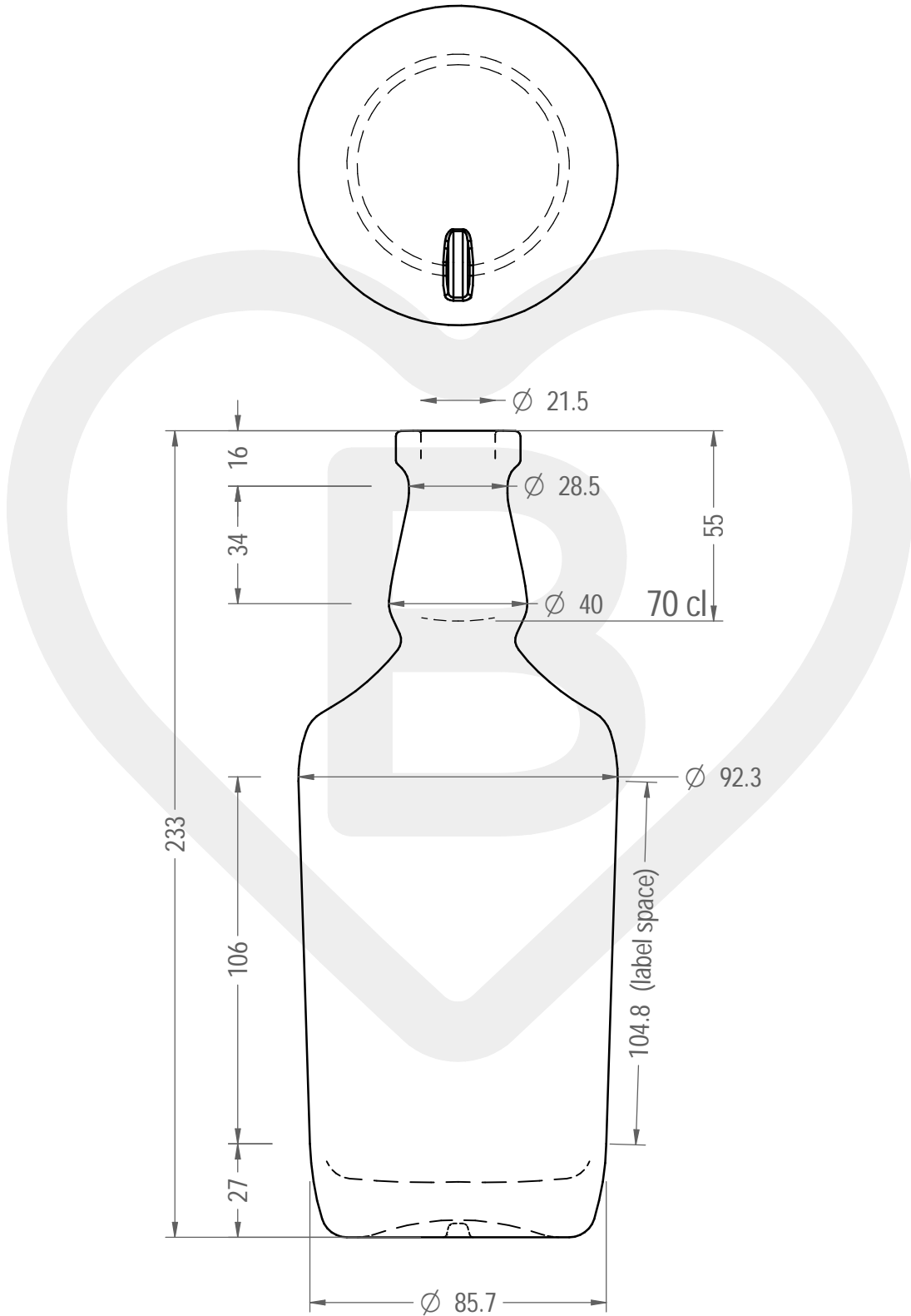


ITEM

BOT. SERAPHINE 700 FVL 9 # \*

Color : BIANCO EXTRA



This drawing is approximate and not binding - Berlin Packaging Italy S.p.A. does not assume any guarantee or obligation for use of this drawing or for information contained therein

Brimful capacity (c.c.):	730	Weight (g):	700
Finish:	FASCETTA VINOLOK	Minimum through bore (mm):	-
Pressure resistance (bar):	-		

For full technical details please contact sales representative

ITEM CODE: **39396D2**