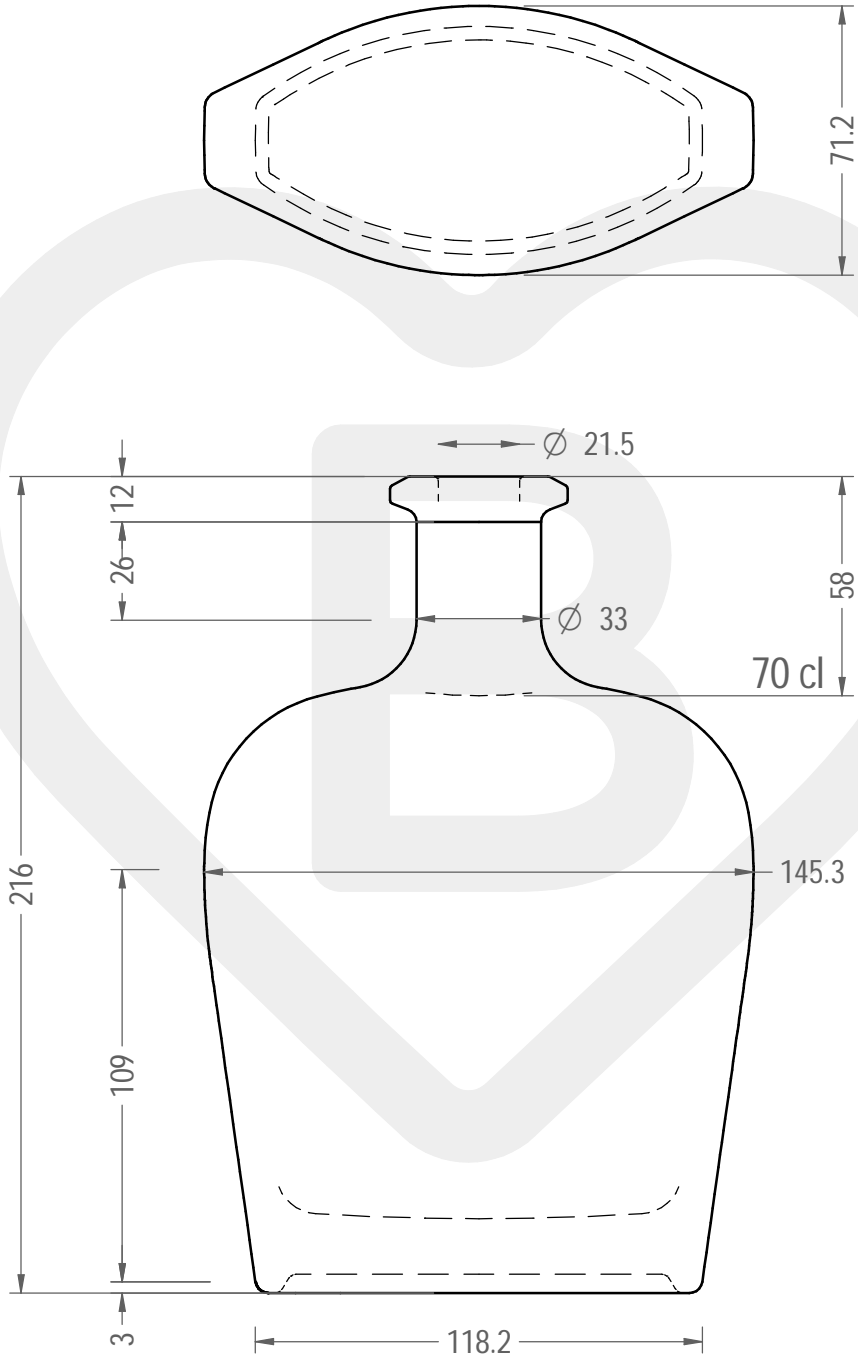


ITEM

BOT. CLINT 700 BP *

Color : BIANCO EXTRA



This drawing is approximate and not binding - Berlin Packaging Italy S.p.A. does not assume any guarantee or obligation for use of this drawing or for information contained therein

Brimful capacity (c.c.):	728	Weight (g):	900
Finish:	BOCCA PROFUMO	Minimum through bore (mm):	-
Pressure resistance (bar):	-		

For full technical details please contact sales representative

ITEM CODE: **37195D2**