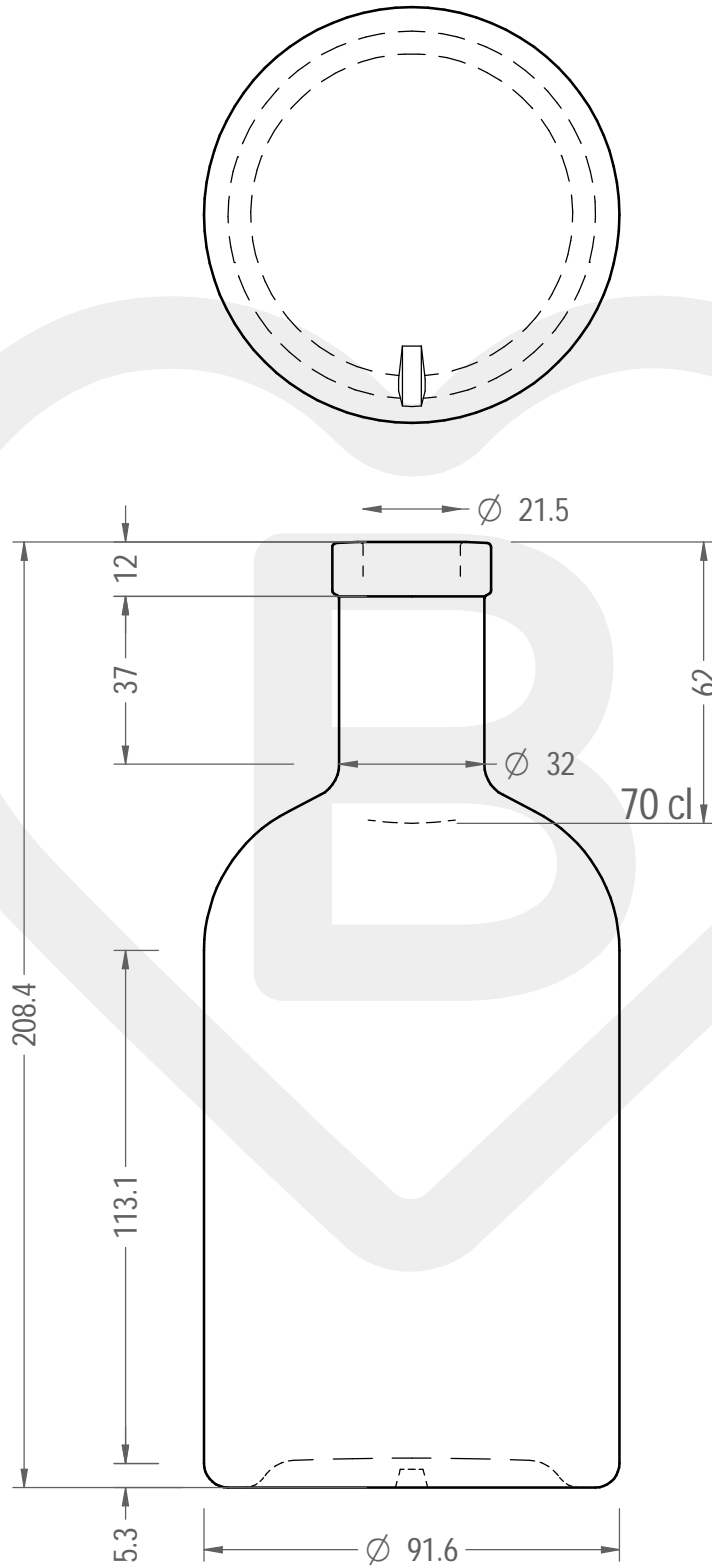


ITEM

BOT. NOCTURNE 700 LT F12 GC \$ \*

Color : BIANCO



This drawing is approximate and not binding - Berlin Packaging Italy S.p.A. does not assume any guarantee or obligation for use of this drawing or for information contained therein

Brimful capacity (c.c.):	732	Weight (g):	600
Finish:	FASCETTA	Minimum through bore (mm):	-
Pressure resistance (bar):	-		

For full technical details please contact sales representative

ITEM CODE: **30668P1**