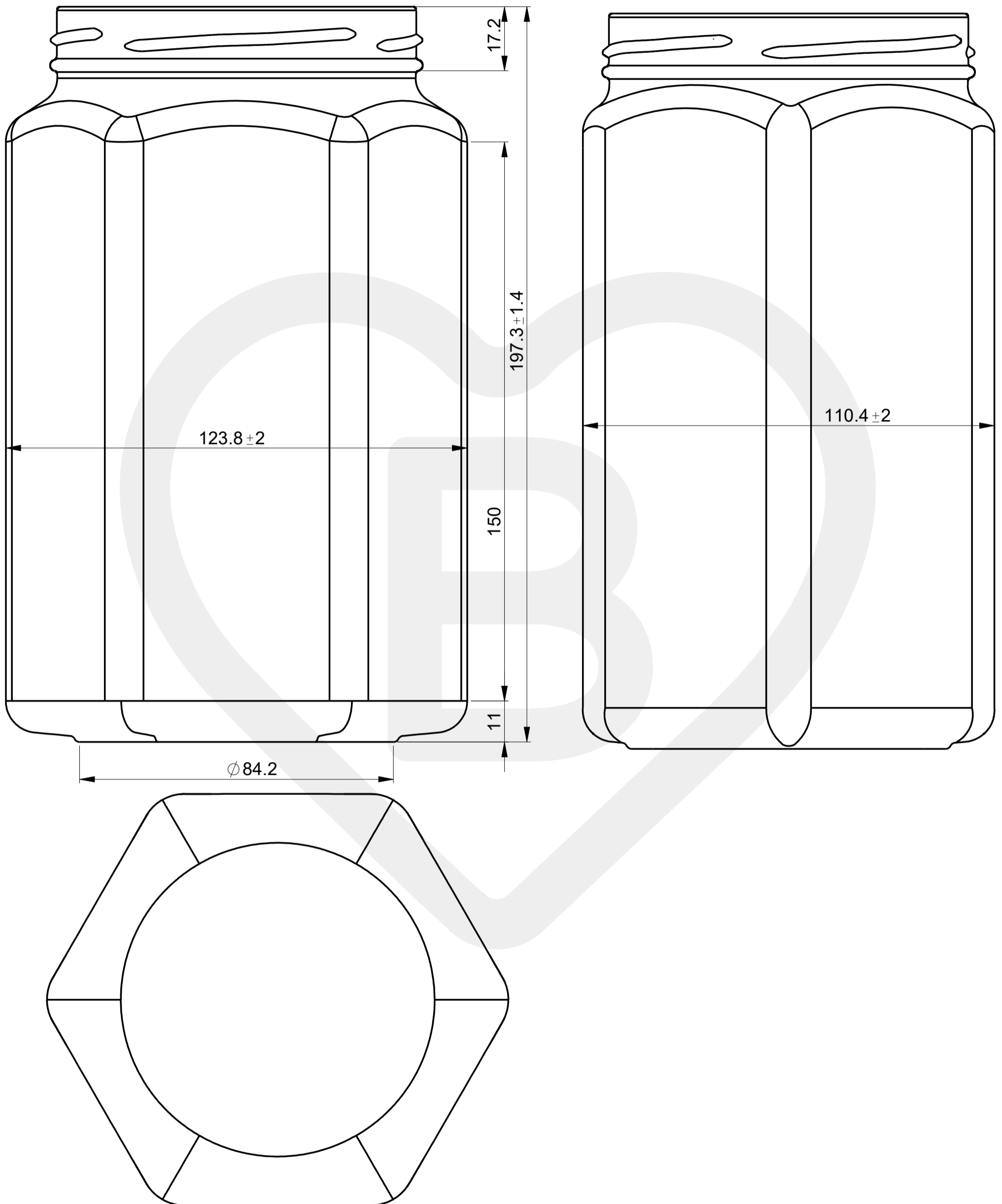


# ITEM HEXAGONAL 1700



berlinpackaging.eu

Color: FLINT



This drawing is approximate and not binding - Berlin Packaging does not assume any guarantee or obligation for use of this drawing or for information contained therein

Brimful capacity (c.c.):	1700	Weight (g):	665
Finish:	TO 100	Fill Point:	-

For full technical details please contact sales representative

ITEM CODE: **10281**