

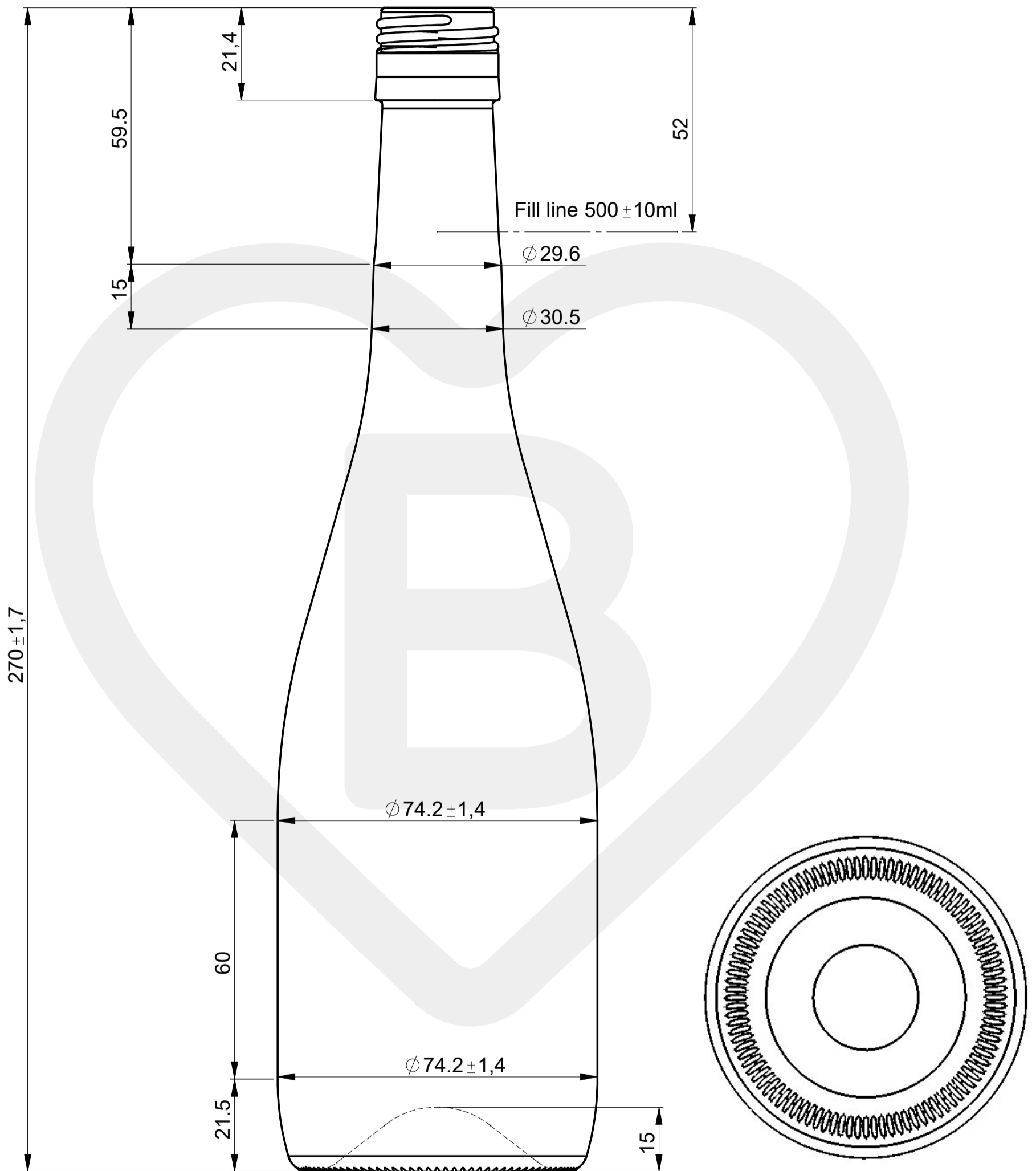
ITEM

SOPHIAS 500

Color: DARK GREEN



berlinpackaging.eu



This drawing is approximate and not binding - Berlin Packaging does not assume any guarantee or obligation for use of this drawing or for information contained therein

Nominal capacity (c.c.):	500	Weight (g):	335
Finish:	BVS 30 H	Fill Point:	52

For full technical details please contact sales representative

ITEM CODE: **10580**