

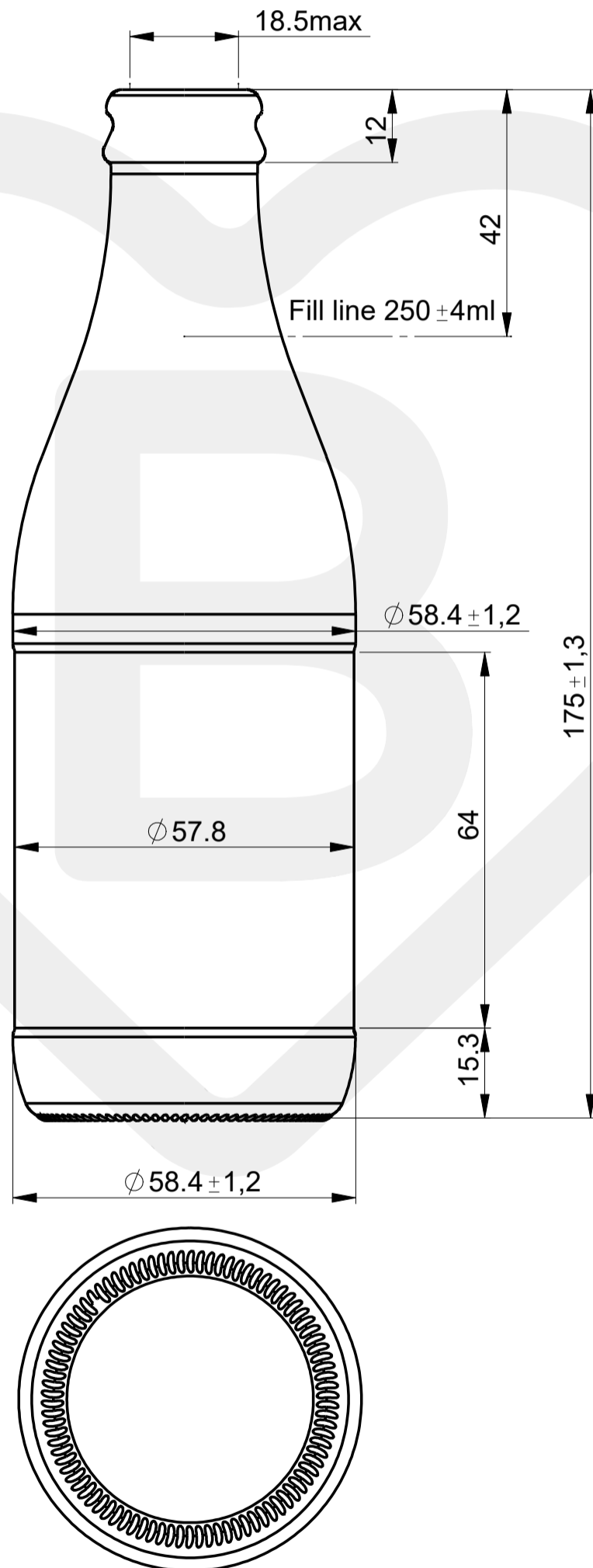
ITEM

SOFT DRINK 250 NR

Color: FLINT



berlinpackaging.eu



This drawing is approximate and not binding - Berlin Packaging does not assume any guarantee or obligation for use of this drawing or for information contained therein

Nominal capacity (c.c.):	250	Weight (g):	185
Finish:	CROWN 26H120	Fill Point:	42
Carbonation level (g CO ₂ /l):max.9			

For full technical details please contact sales representative

ITEM CODE: **10065**