

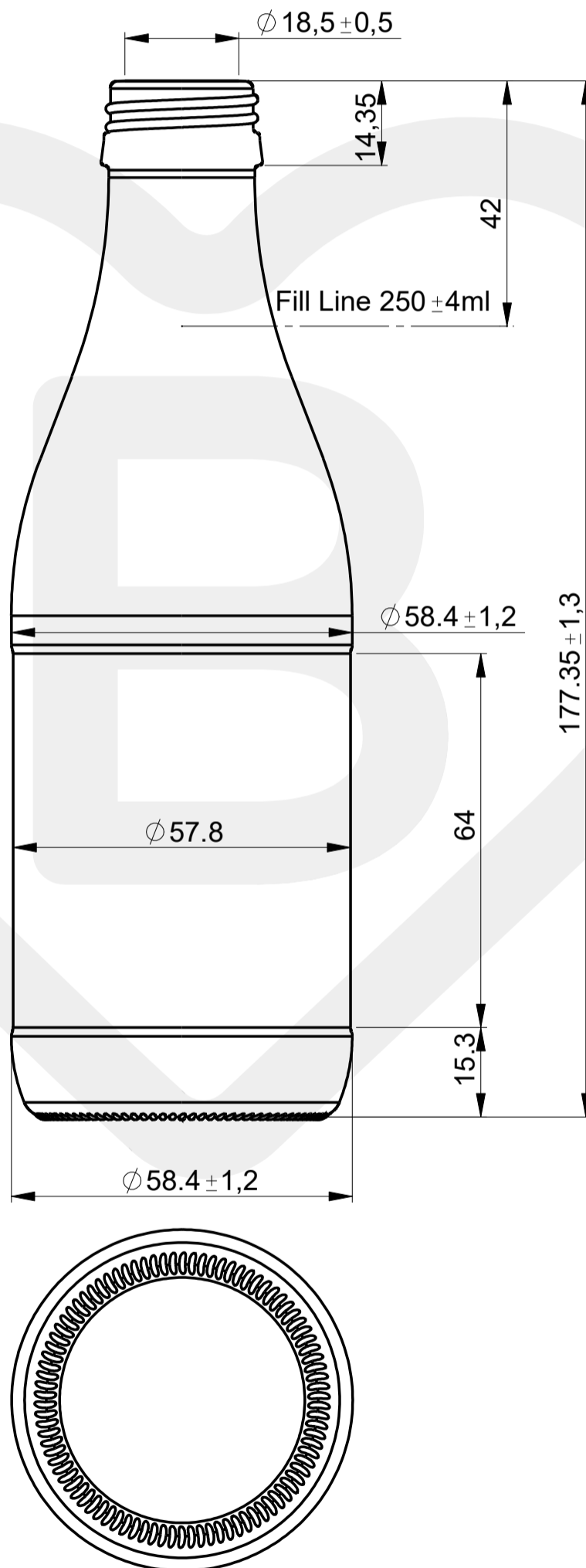
ITEM

# SOFT DRINK 250 NR

Color: FLINT



berlinpackaging.eu



This drawing is approximate and not binding - Berlin Packaging does not assume any guarantee or obligation for use of this drawing or for information contained therein

Nominal capacity (c.c.):	250	Weight (g):	190
Finish:	MCA-1	Fill Point:	42

Carbonation level (g CO<sub>2</sub>/l):max.9

For full technical details please contact sales representative

ITEM CODE: **10296**