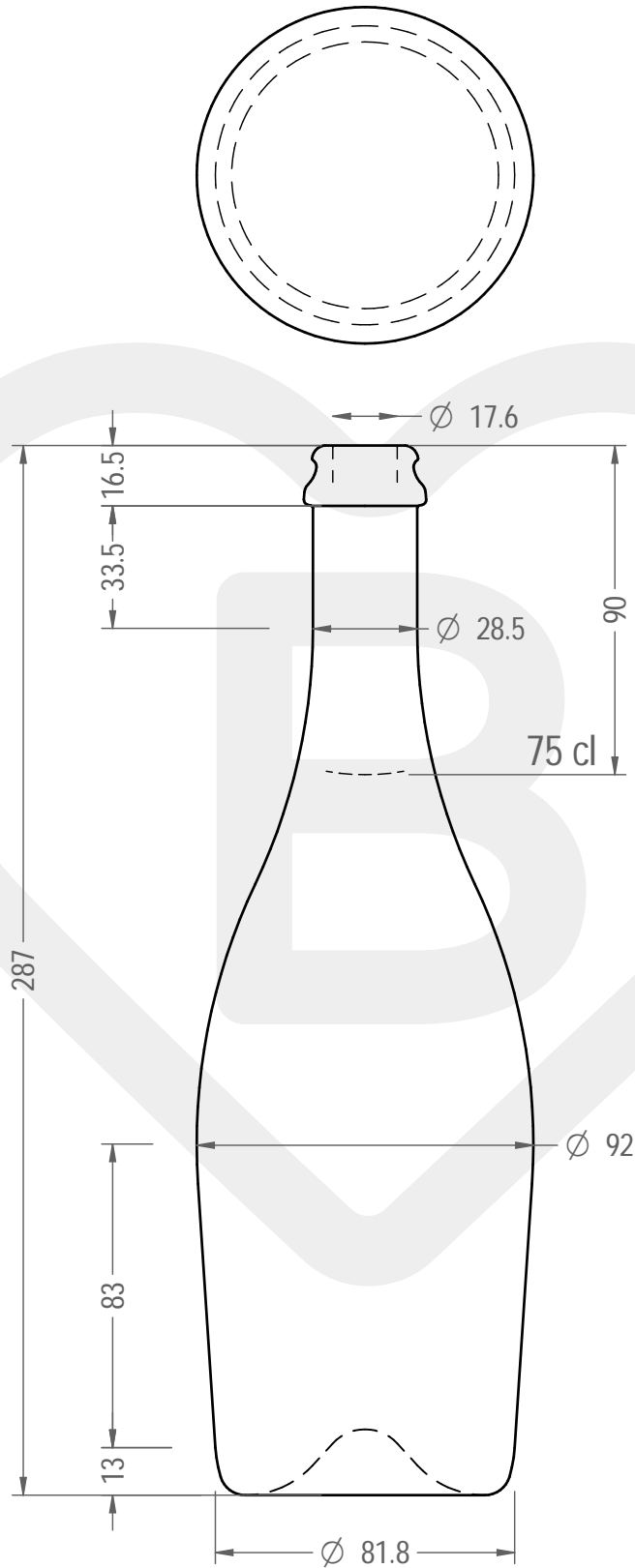


ITEM

BOT. COLLIO LIGHT 750 TC 29 UVAG PG

Color : UVAG



This drawing is approximate and not binding - Berlin Packaging Italy S.p.A. does not assume any guarantee or obligation for use of this drawing or for information contained therein

Brimful capacity (c.c.):	778	Weight (g):	640
Finish:	TAPPO CORONA	Minimum through bore (mm):	-
Pressure resistance (bar):	-		

For full technical details please contact sales representative

ITEM CODE: **35827P3**