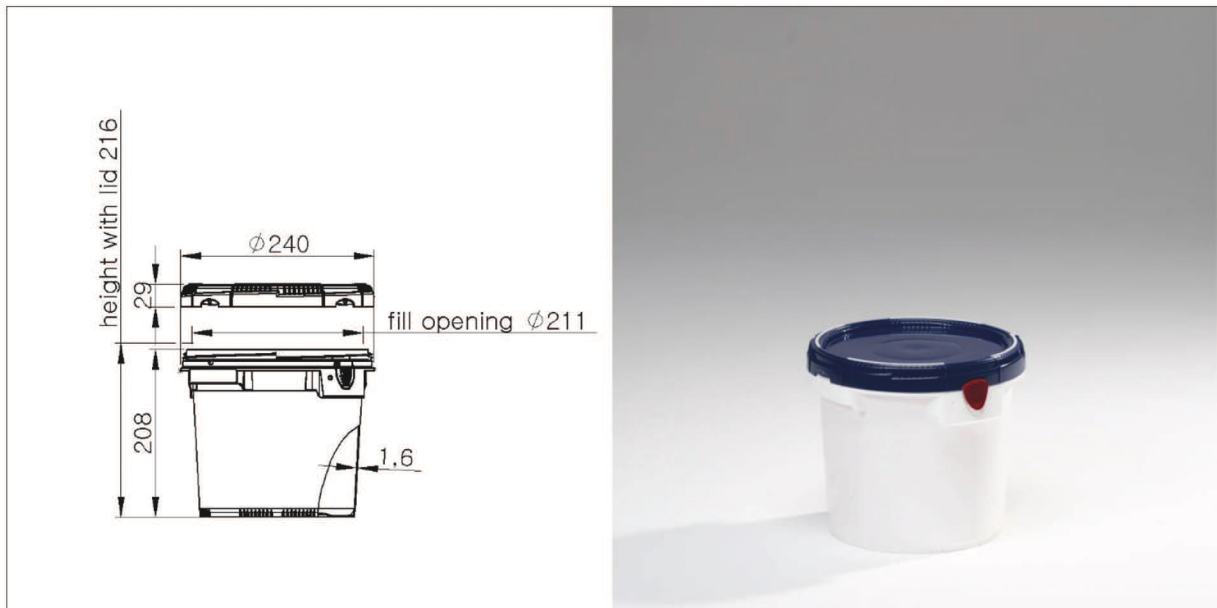


4406

CT SP 006UNY A00

6 litre Click Pack^Y



For dimensional tolerances see table on next page

Product part	Product code	Description	Materials
Container	4406-60-004	6 litre nestable container	HDPE
Lid	4401-60-611	Screw lid	HDPE
Gasket	/	Sealing gasket	TPE
Pin	4404-00-407	Tamper Evident Sealing Pin	PS

Capacity	Litres	US Gallons
Brimful	6.7	1.77
When closed	6.0	1.59

Weight	Grams	Ounces
Container	302	10.65
Lid (including gasket)	127	4.48
Pin	2	0.07
Total	431	15.20

Colours	Colour code	PMS references
Container	White 004	/
Lid	Blue 611	2767 C
Gasket	White 004	/
Pin	Red 407	188 C

Hazardous material information

Hazardous material type	Solids
Packaging group	I – II – III
UN marking	1H2/X6/Y9/Z14/S/--/NL/ CURTEC-130556
Maximum gross mass (kg)	X=6 Y=9 Z=14

Product identification	Container	Lid
Manufacturer ID	Bottom	--
Product code	Bottom	--
Recycle logo / Material type	Bottom	Inside
Date clock	Bottom	Inside
UN-mark	Handgrip	--
Food logo	Bottom	
Material track clock	Bottom	--

Other information

The container can be opened and closed with just a quarter-turn
The lid is locked when it passes the safety button, confirmed by a 'click'
Maximum filling temperature is 70°C/ 158°F
Contents must have cooled to 30°C/ 86°F before containers can be closed and stacked
DoC available on request
UN certificate available on request
MVTR declaration available on request
Child resistant declaration available on request
Other colours available on request
User manual available on request

Dimensional tolerance (mm) according to DIN16742-TG7

Over	1	>3	>6	>10	>18	>30	>50	>80	>120	>180	>250	>315	>400	>500	>630	>800
up to	3	6	10	18	30	50	80	120	180	250	315	400	500	630	800	1000
NW (±)	0.20	0.29	0.35	0.42	0.50	0.60	0.90	1.25	1.45	1.60	1.80	2.60	3.50	4.00	4.50	5.00

Weight tolerance

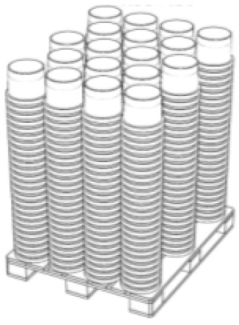
All products have a tolerance of ±4% on the initial weight mentioned on this data sheet

© 2016 Property of CurTec International B.V. All rights explicitly reserved, it is not allowed to copy or communicate to other parties without written consent of CurTec.

4406

6 litre Click Pack^y

Palletisation containers		
Qty per pallet	450	
No. of layers containers	25	
Qty per layer	18	
Mass [kg lbs]	152	335
Length [mm inch]	1200	48
Width [mm inch]	1000	40
Height [mm inch]	1570	63



Palletisation lids		
Qty per pallet	450	
No. of layers lid	25	
Qty per layer	18	
Mass [kg lbs]	66	146
Length [mm inch]	1200	48
Width [mm inch]	1000	40
Height [mm inch]	640	26

