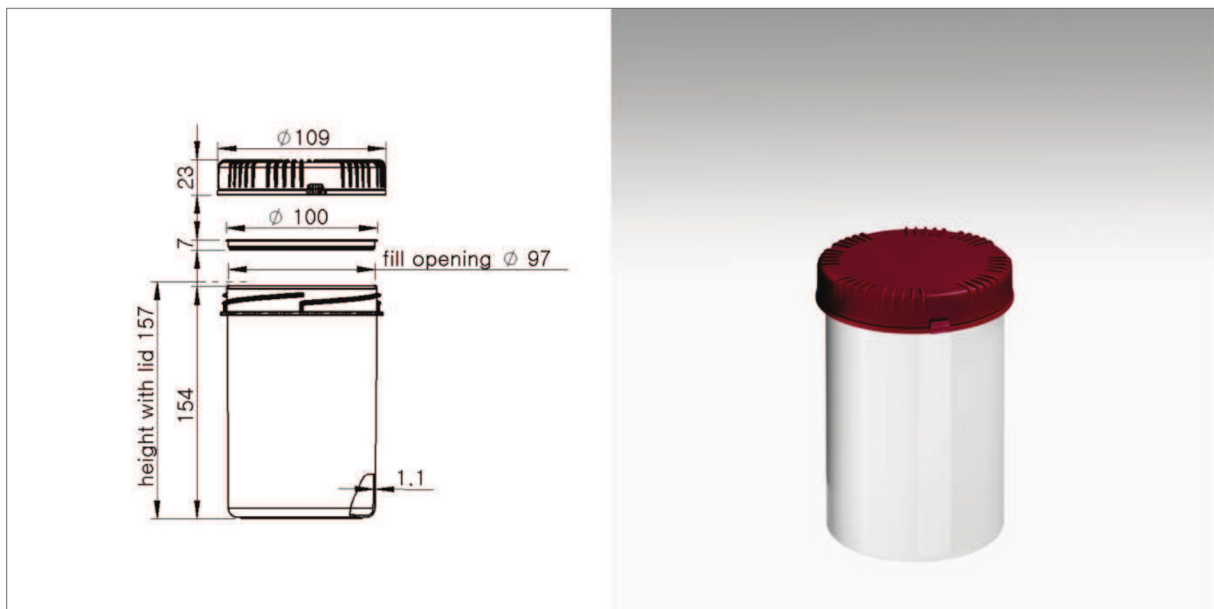


4310

CT BA 1000 UN A00

1000 ml Packo



*For tolerances see next page

Product part	Product code	Description
Container	4310-70-004	1000 ml Packo
Lid	4350-70-402	Screw lid
Inner seal	4360-70-000	Inner seal

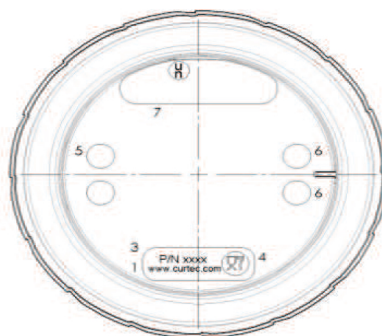
Capacity	ml	floz
Brimful	1080	36.5
When closed	1030	34.8

Raw material	
Container	HDPE
Lid	HDPE
Inner seal	MDPE/ PE

Weight	Grams	Ounces
Container	69.4	2.45
1C Lid	24	0.85
Inner seal	6.25	0.22
Total	99.65	3.53

Colours	Colour code	PMS references
Container	White 001	n/a
	Black 101	Black C
Lid	Red 402	Red 199 C
	Yellow 205	Yellow 108C
	Grey 135	Cool Gray 7 C
	Red 480	Red 7645 C
	Green 505	Green 378 C
	Blue 605	Blue 300 C

Hazmat information	
Hazmat type	Solids
Packaging group	I – II – III
UN marking	1H2/X1.3/Y2.0/Z3.0/S/--/NL/TCPI-CURTEC-110503
Maximum gross mass (kg)	X=1.3 Y=2.0 Z=3.0

Product identification	
1. Manufacturer ID	
2. Country of Origin (N/A)	
3. Product no.	
4. Food grade	
5. Material type	
6. Date clock	
7. UN mark	

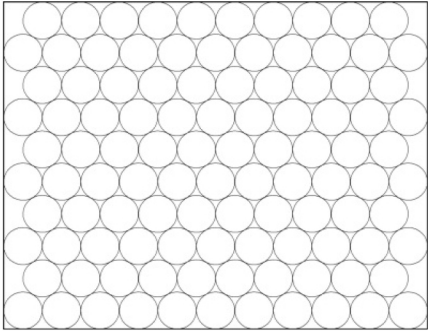
Other information
<p>Packo consists of a container with a transparent insert and a lid with tear-off tamper evident seal</p> <p>Open and close with just a quarter-turn</p> <p>Other colours and versions are available on request</p> <p>Maximum filling temperature is 70°C/ 158°F</p> <p>Contents must have cooled to 30°C/ 86°F before containers can be closed and stacked</p> <p>UN certificate available on request</p> <p>MVTR declaration available on request</p> <p>User Manual available on request</p>

Dimensional tolerance (mm) according to DIN16742-TG7																
Over	1	>3	>6	>10	>18	>30	>50	>80	>120	>180	>250	>315	>400	>500	>630	>800
up to	3	6	10	18	30	50	80	120	180	250	315	400	500	630	800	1000
NW (±)	0.20	0.29	0.35	0.42	0.50	0.60	0.90	1.25	1.45	1.60	1.80	2.60	3.50	4.00	4.50	5.00

Weight tolerance
All products have a weight tolerance of ±4% of the initial weight mentioned on this data sheet

© 2015 Property of CurTec International B.V. All rights explicitly reserved, it is not allowed to copy or communicate to other parties without written consent of CurTec.

Palletisation containers on pallet		
Qty per pallet	1260	
No. of layers	12	
Qty per layer	105	
Mass [kg lbs]	98	216
Lenght [mm inch]	1000	40
Width [mm inch]	1200	48
Height [mm inch]	2036	80.2



Palletisation containers in boxes			Palletisation inner seals		
Qty per box	210		Qty per box	840	
Mass [gr ounces]	17	37.5	Mass [kg lbs]	6.7	14.8
Lenght [mm inch]	1000	40	Lenght [mm inch]	600	24
Width [mm inch]	600	24	Width [mm inch]	400	16
Height [mm inch]	760	29.9	Height [mm inch]	400	16
Qty per pallet	1260		No. of boxes per layer	5	
Boxes per pallet	6		No. of layers	5	
No. of layers	3		No. of boxes per pallet	25	
Boxes per layer	2		Qty per pallet	21000	
Mass [kg lbs]	112	246.9	Mass [kg lbs]	156.4	344.8
Lenght [mm inch]	1000	40	Lenght [mm inch]	1000	40
Width [mm inch]	1200	48	Width [mm inch]	1200	48
Height [mm inch]	2420	95.7	Height [mm inch]	2140	84.2

Palletisation 1C lids			Palletisation 2C lids		
Qty per box	210		Qty per box	210	
Mass [kg lbs]	5.6	12.4	Mass [kg lbs]	6	13.2
Lenght [mm inch]	600	24	Lenght [mm inch]	600	24
Width [mm inch]	400	16	Width [mm inch]	400	16
Height [mm inch]	400	16	Height [mm inch]	400	16
No. of boxes per layer	5		No. of boxes per layer	5	
No. of layers	5		No. of layers	5	
No. of boxes per pallet	25		No. of boxes per pallet	25	
Qty per pallet	5250		Qty per pallet	5250	
Mass [kg lbs]	147	324	Mass [kg lbs]	157.5	347.2
Lenght [mm inch]	1000	40	Lenght [mm inch]	1000	40
Width [mm inch]	1200	48	Width [mm inch]	1200	48
Height [mm inch]	2140	84.2	Height [mm inch]	2140	84.2

Palletisation complete sets

Each box contains a folded plastic liner with 10 containers, 10 lids and 10 inner seals

Qty per box	10	
Mass [gr ounces]	1360	48
Lenght [mm inch]	600	15.8
Width [mm inch]	200	7.9
Height [mm inch]	200	6.3
Qty per pallet	800	
Boxes per pallet	80	
No. of layers	8	
Boxes per layer	10	
Mass [kg lbs]	123	270
Lenght [mm inch]	1000	40
Width [mm inch]	1200	48
Height [mm inch]	1730	69
